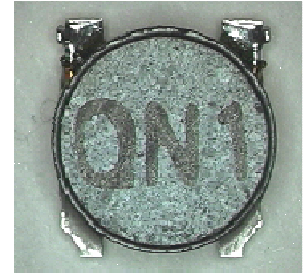
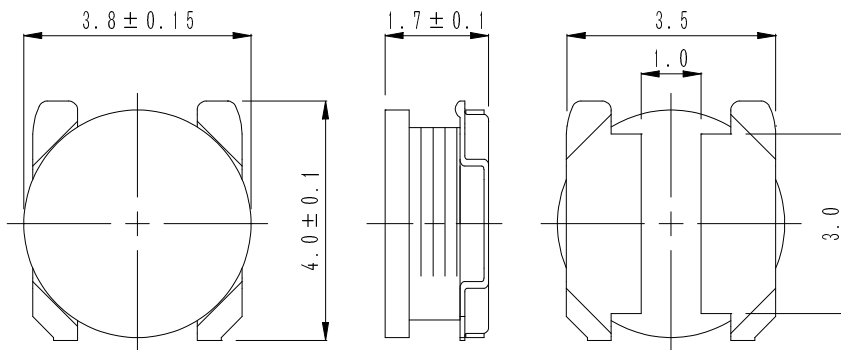
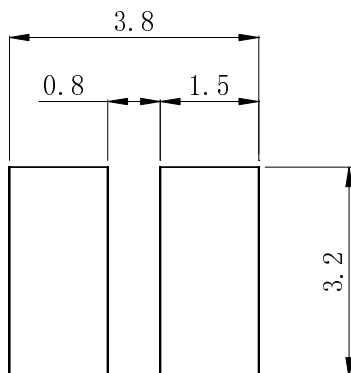
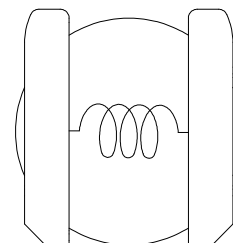


Type: CDH38D16D/LD
◆ Product Description

- 4.1×3.95mm Max.(L×W), 1.8mm Max. Height.
- Inductance range: 1.0~33 μ H.
- Rated current range: 0.42~2.4A.
- In addition to the standard versions of inductors shown here, custom inductors are available to meet your exact requirements.


◆ Feature

- Magnetically unshielded construction.
- Storage temperature range: -40°C ~+105°C.
- Operating temperature range: -40°C ~+105°C (Including coil's self temperature rise).
- Ideally used in Mobilephone,PDA,MP3,DSC/DVC,HDD,etc as DC-DC converter inductors.
- Product weight: 0.08g (Ref.).
- RoHS compliance and Halogen Free.

◆ Dimensions (mm)

◆ Land Pattern (mm)

◆ Schematics (Bottom)


Type: CDH38D16D/LD
◆ Specification

Part Name ※	Stamp	Inductance [μ H] 100kHz/1V	D.C.R.(m Ω) (at 20°C)	Saturation Current (A) ※1		Temperature Rise Current (A) ※2
				at 20°C	at 105°C	
CDH38D16DLNPN-1R0M□	A	1.0±20%	25±25%	2.40	1.90	3.12
CDH38D16DLNPN-1R7M□	C	1.7±20%	33±25%	1.90	1.50	2.90
CDH38D16DLNPN-2R0M□	E	2.0±20%	38±25%	1.70	1.35	2.70
CDH38D16DLNPN-3R3M□	G	3.3±20%	53±25%	1.35	1.05	2.20
CDH38D16DLNPN-4R7M□	J	4.7±20%	73±25%	1.15	0.90	1.85
CDH38D16DLNPN-6R8M□	L	6.8±20%	108±20%	0.95	0.75	1.52
CDH38D16DLNPN-100M□	N	10±20%	157±20%	0.76	0.60	1.26
CDH38D16DLNPN-150M□	Q	15±20%	250±20%	0.64	0.50	1.02
CDH38D16DLNPN-220M□	S	22±20%	340±20%	0.52	0.42	0.78
CDH38D16DLNPN-330M□	U	33±20%	540±20%	0.42	0.34	0.64

※ Description of part name

CDH38D16DLNPN-1R0M□

B: Box

C: Carrier Tape

※1.Saturation current: The DC current at which the inductance decreases to 70% of its nominal value.

 ※2.Temperature rise current: The DC current at which the temperature rise is $\Delta t=40^{\circ}\text{C}$.($T_a=20^{\circ}\text{C}$)